



Radio Transmitter TRM-1650
 Radio Receiver REC-1650

SPECIFICATIONS

Specifications are subject to change without notice.

B	' 14. 03	Change the indicator label, and substrate version.	"
"	"	Change the battery box's specification from 3 to 4.	"
A	' 13. 06	Change the power switch to dust-proof type.	Isobe
Amendment	Date	Revision History	Charge

PANTOS CO., LTD.	Drawing Number	Amendment
	TRMREC-01-0001	B

1. OUTLINE

This product is radio equipment which sends the analog data from a magnetic finger to a recorder and a data logger, and it consists of a transmitter and a receiver.

Since it has two subcarriers, it doesn't interface, even if it uses two sets simultaneously at an adjoining place. (When each distance is further than 10m, for two sets of transmitters, between the 1st set transmitter and the 2nd set receiver, and between the 2nd set transmitter and the 1st set receiver.)

The power supply of a transmitter is driven by a battery(DC12V) and dry cells(AA battery×4), and the power supply of a receiver is driven by a battery(DC12V) and an AC adapter(DC9V).

2. COMPOSITION

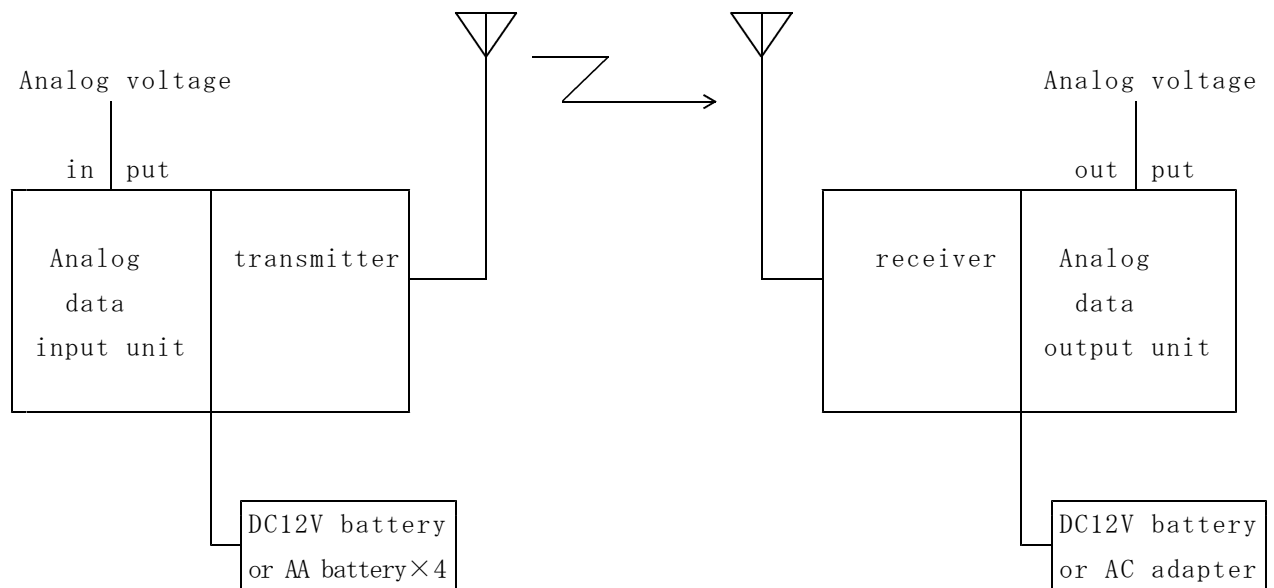


Figure. 1 Transceiver machine

3. THE BODY SPECIFICATIONS

N a m e :	(1) Analog radio transmitter
	(2) Analog radio receiver
M o d e l :	(1) TRM-1650 (Analog radio transmitter)
	(2) REC-1650 (Analog radio receiver)
Number of channels :	2ch
Type of radio wave :	F1D
Radio frequency :	429.2500~429.7375MHz
	1ch : 429.275MHz、2ch : 429.550MHz Switch change
	Trandceiver machine is used by the same channel.
Oscillation :	Frequency synthesizer system
Modulation・Demodulation :	FSK modulation method , FSK demodulation method
Propagation velocity :	2400bps
Declared power :	0.01W
Receiving sensitivity :	114dBm
Transceiver distance :	300m (When there is no obstacle)
A D c h a r g e :	12bit sampling 10ms

Input voltage : $\pm 1V$ (FS) (MAX $\pm 2V$) Analog voltage transmitter
 Output voltage : $\pm 1V$ (FS) (MAX $\pm 2V$) Analog voltage receiver
 Accuracy between input and output : $\pm 5\%$ (FS) Linearity is included.
 Transceiver antenna : $\lambda/4$ whip antenna, Absolute gain 1.0dBi
 P o w e r : Operating voltage DC4.5~13.5V (each transceiver)
 Consumption current below 150mA (each transceiver)
 (1) transmitter DC12V(battery) or
 Alkali AA dry cell $\times 4$ (More than continuous duty 20 hour)
 ※It's changes operating conditions.
 (2) receiver DC12V(battery) or
 AC adapter(DC9V 0.65A)
 Power connector : transmitter RM12BRD-2PH(71) HIROSE
 receiver MJ-70 MARUSHIN ELECTRIC MFG.
 Enviroment : $-5^{\circ}\text{C} \sim 50^{\circ}\text{C}$
 Storage temperature range : $-10^{\circ}\text{C} \sim 60^{\circ}\text{C}$
 External dimensions : 100(W) \times 150(H) \times 37(D)mm (transceiver)
 W e i g h t : Both transceiver 350g
 Color appearance : black
 Construction : splashproof construction

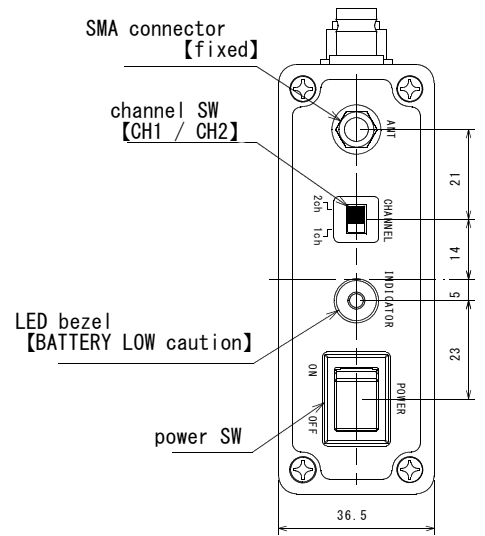
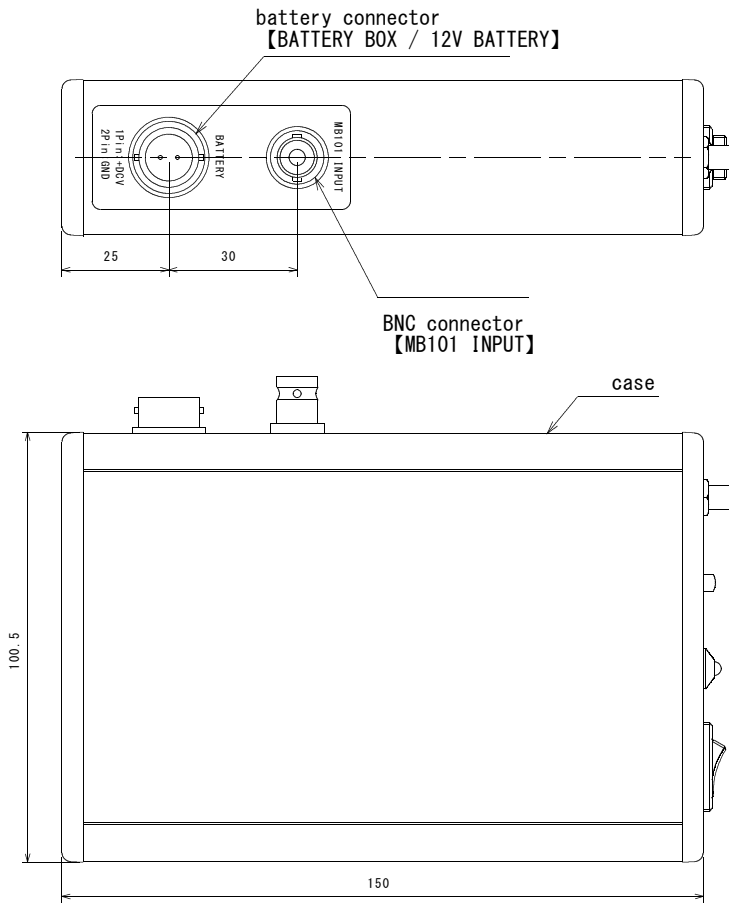
- 4. ACCESSORIES**
- (1) TRM-1650 (Analog radio transmitter)
- whip antenna (SMA) 1
(It's being fixed to the transmitter machine.)
 - Analog input cable (BNC-alligator clips) 1
 - DC power cable (1.5m) 1
 - Battery boc (AA battery $\times 4$) 1
※The battery isn't attached.
- (2) REC-1650 (Analog radio receiver)
- whip antenna (SMA) 1
(It's being fixed to the receiver machine.)
 - Analog output cable (BNC-alligator clips) 1
 - DC power cable (1.5m) 1
 - AC adapter (DC9V 0.65A) 1

5. T E L E C : Example ; "R"001YVB 3061098
Technical conformity

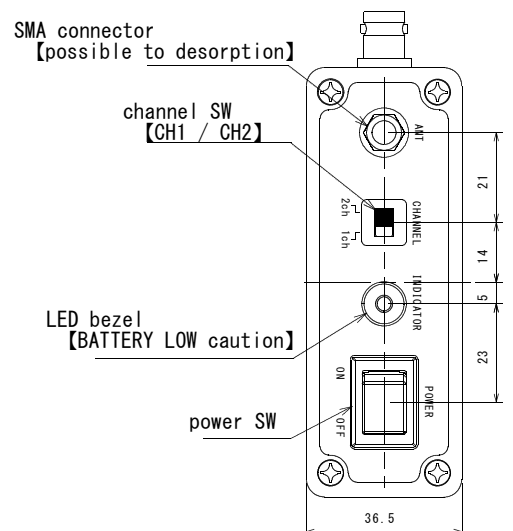
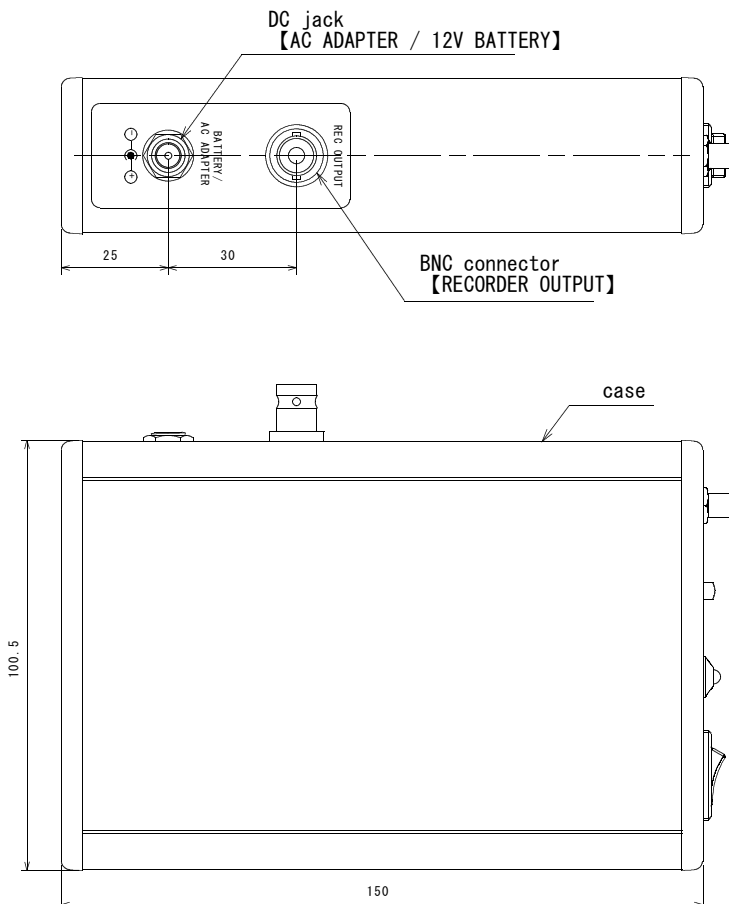
6. PRODUCER'S NAME : COX CO.,LTD.

7. OUTSIDE DRAWING

7. 1 Transmitter



7. 2 Receiver



7. 3 Battery Box

